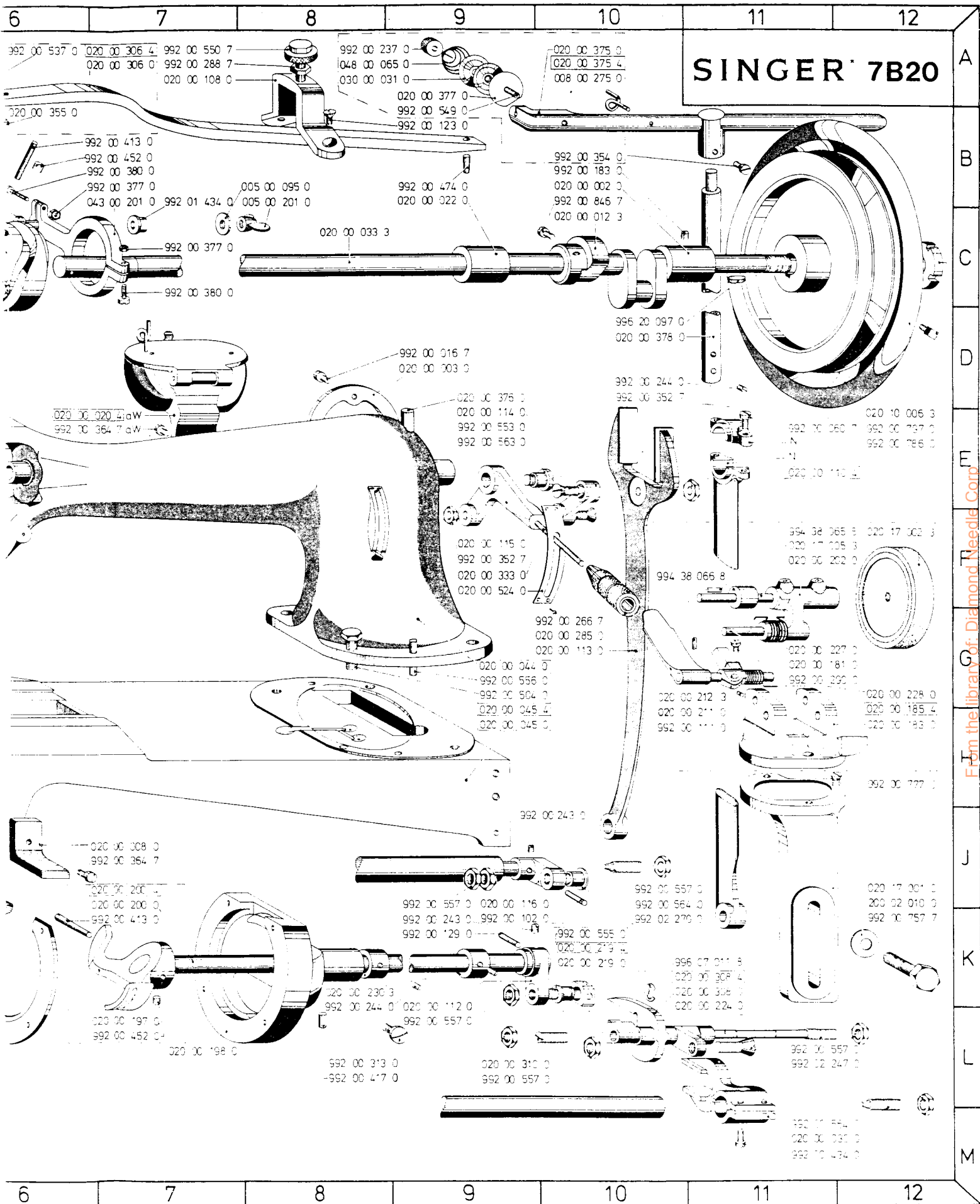


# **SINGER**

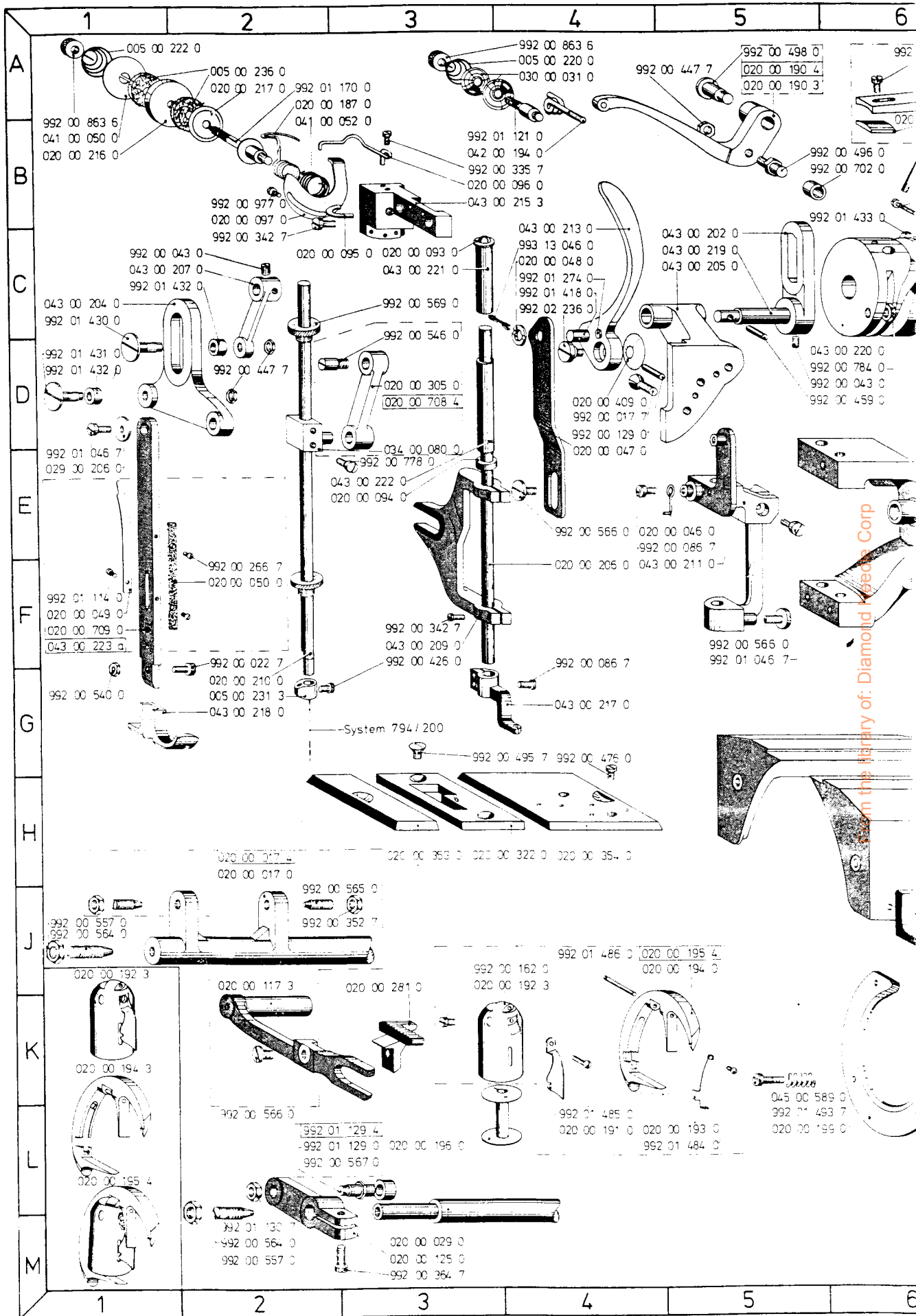
## **7B20**



# SINGER 7B20

A  
B  
C  
D  
E  
F  
G  
H  
I  
J  
K  
L  
M

From the library of: Diamond Needle Corp.



From the library of: Diamond Kedge Corp



Benennung

Teil-Nr.

Benennung

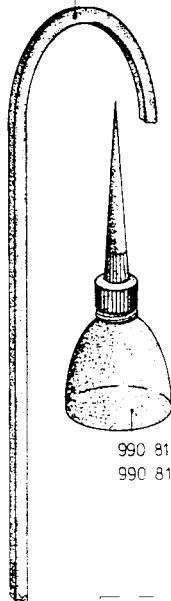
13

14

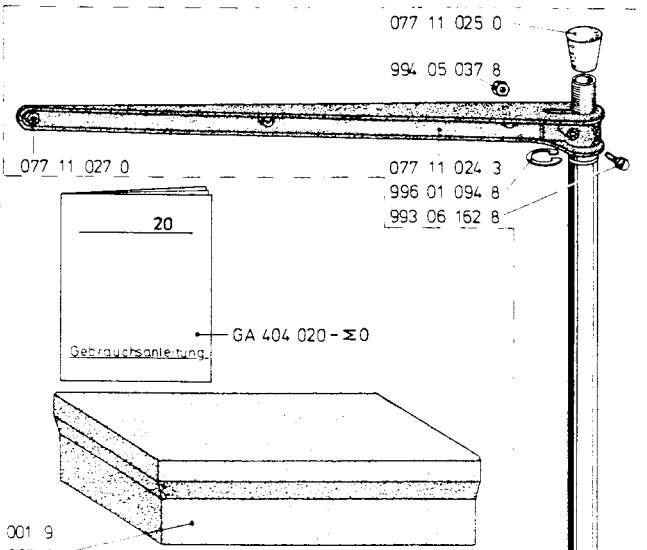
15

16

990 12 012 3



990 81 001 9  
990 81 003 8



077 11 025 0

994 05 037 8

077 11 027 0

077 11 024 3

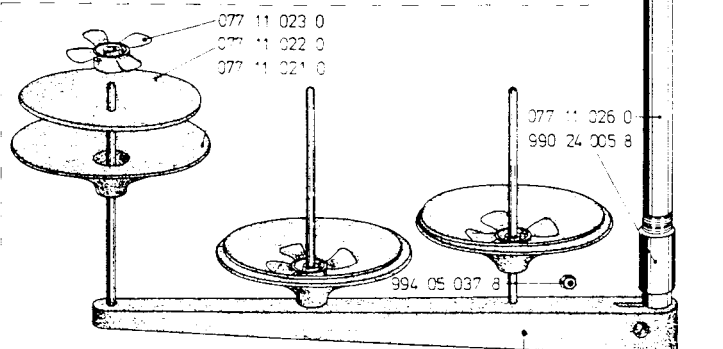
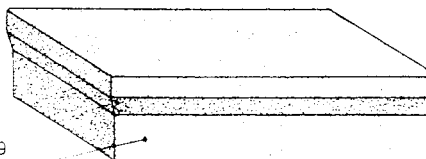
996 01 094 8

993 06 152 8

20

GA 404 020 - Σ0

Gebrauchsanleitung



077 11 023 0

077 11 022 0

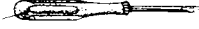
077 11 021 0

077 11 026 0

990 24 005 8

994 05 037 8

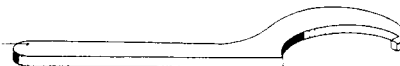
990 81 006 1



990 81 001 1



990 81 000 1



993 83 324 6



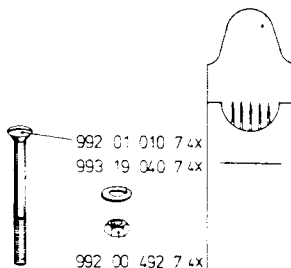
990 81 000 2



993 69 012 5



System 794 / 200



992 01 010 7 4x

993 19 040 7 4x

992 00 492 7 4x

077 11 026 0

995 34 061 8

993 19 046 7

A  
B  
C  
D  
E  
F  
G  
H  
I  
J  
K  
L  
M

From the library of: Diamond Needle Corp

13

14

15

16